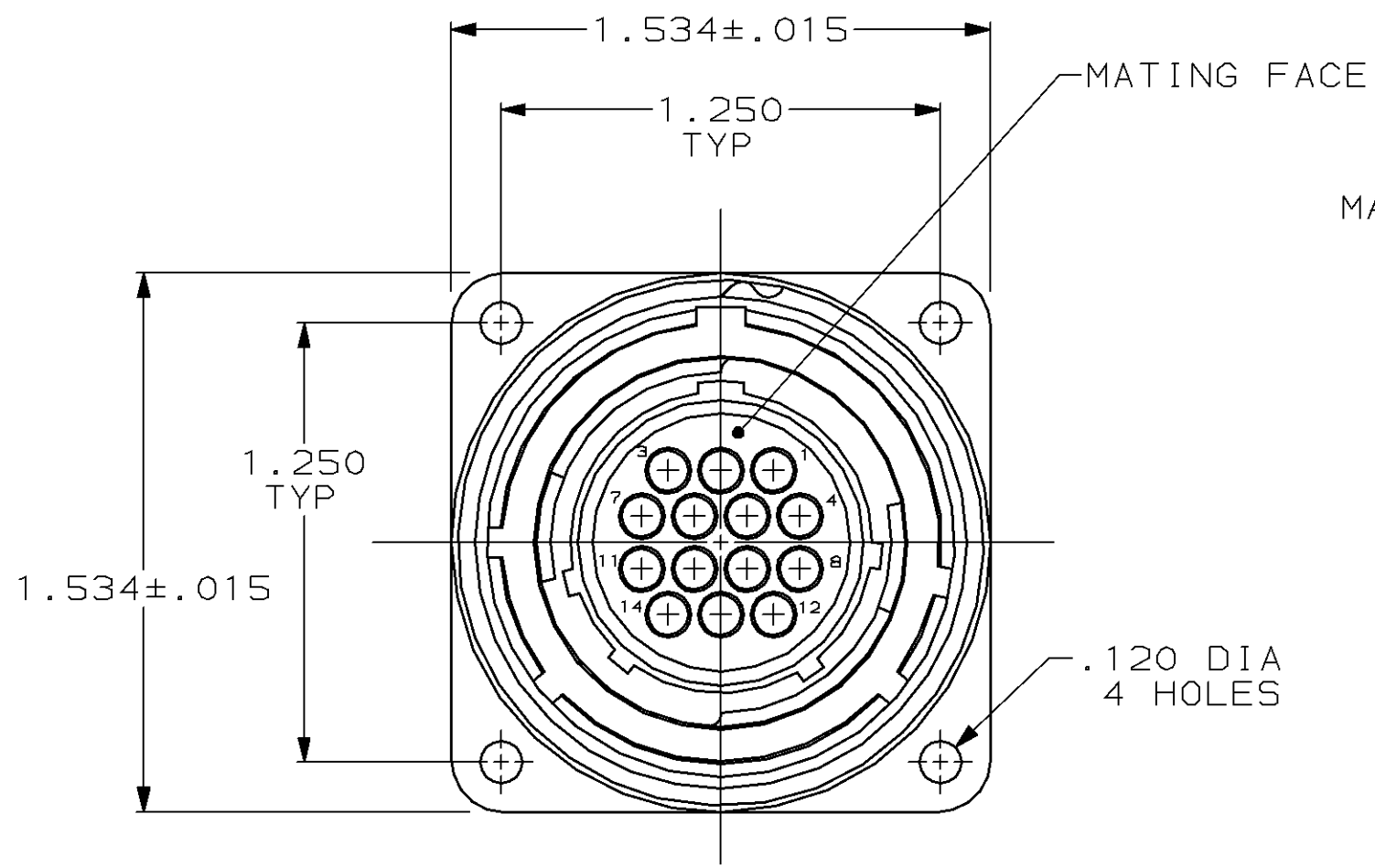


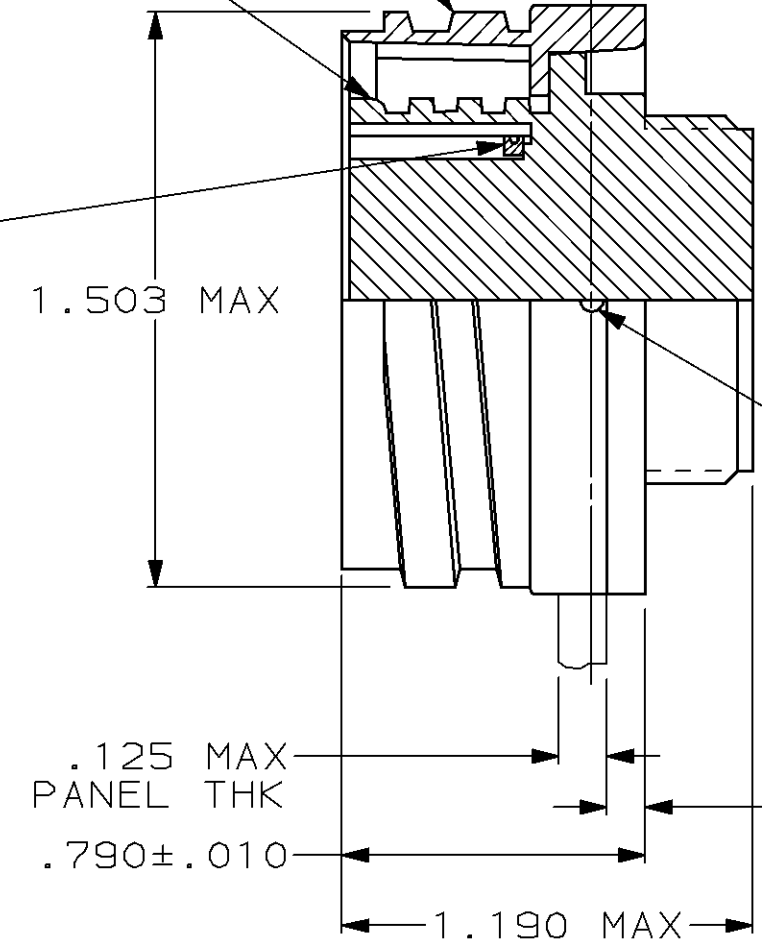
LOC	DIST	P	F	ZONE	LTR	REVISIONS	DATE	APPD
FT	4				G	REDRAWN	6-27-91	-
					H	OBS -2 PER EC 0020-0394-93	11/17/94	RK
					J	REV PER EC 0320-39-96	09 SEP 96	AW



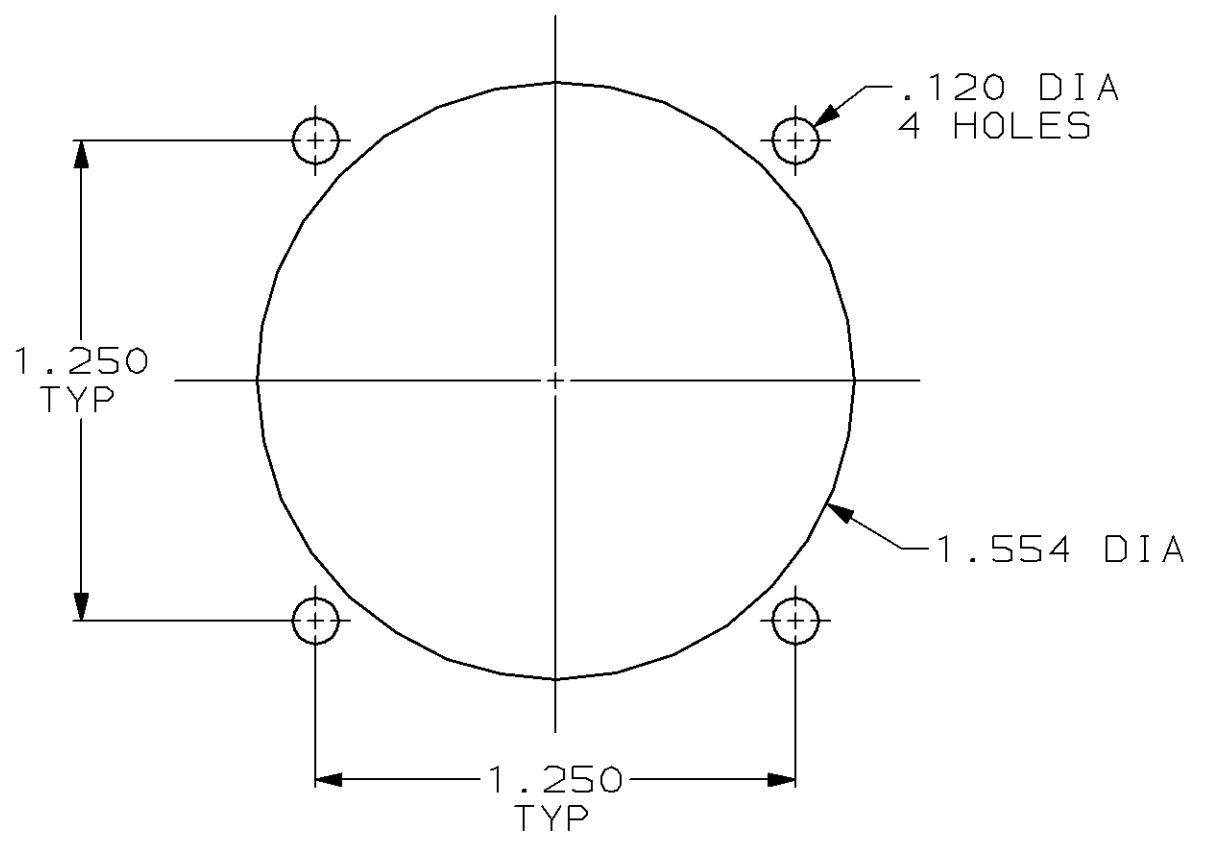
RECEPTACLE, REV SEX
 ARRANGEMENT 17-14
 MATERIAL: THERMOPLASTIC
 COLOR: BLACK

METAL SHELL RECEPTACLE
 MATERIAL: ZINC ALLOY
 FINISH: NICKEL PLATED PER QQ-N-290

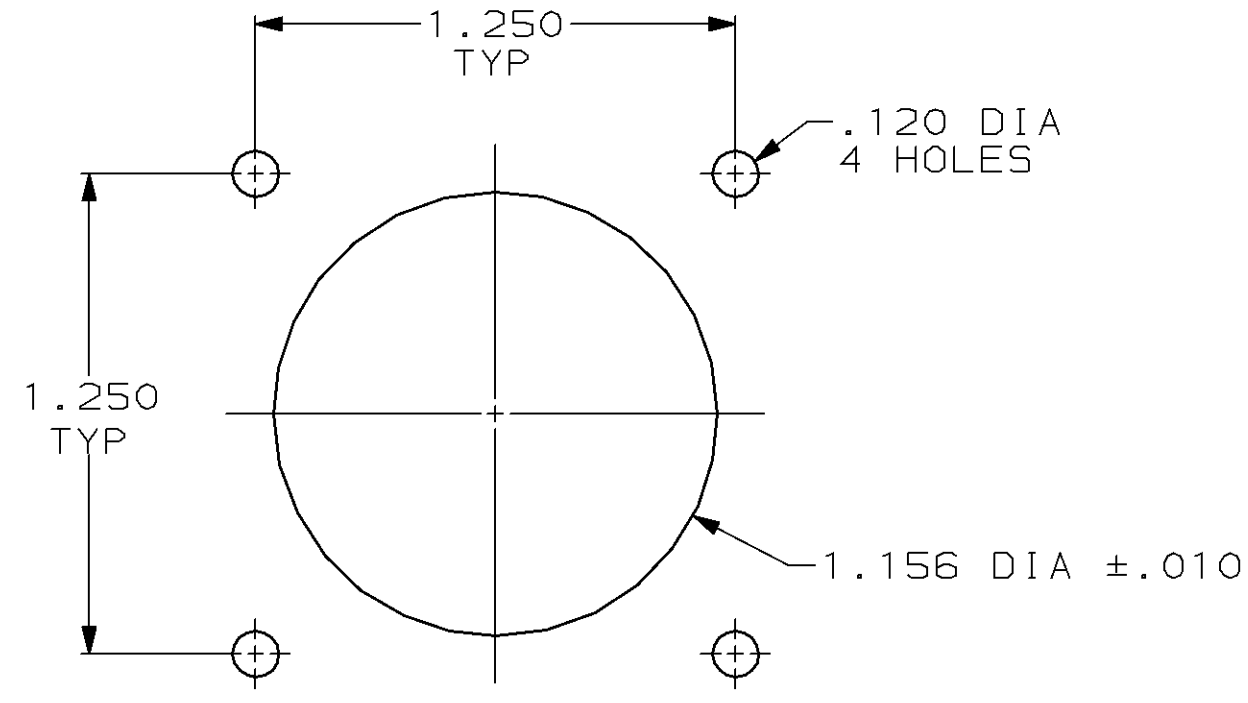
PERIPHERAL SEAL
 SEE TABLE



GROOVE PIN, 2 PLC
 MATERIAL: STEEL ALLOY
 FINISH: NICKEL PLATED PER
 QQ-N-290



REAR MOUNTED PANEL CUTOUT



FRONT MOUNTED PANEL CUTOUT

OBSOLETE	YES	208487-2
	NO	208487-1
PERIPHERAL SEAL	PART NUMBER	

- 208487-1 MATES WITH AMP PLUG 208486-1 OR -3. 208487-2 MATES WITH 208486-1 ONLY.
- THIS RECEPTACLE ACCEPTS FOURTEEN (14) MULTIMATE SOCKET CONTACTS. MAXIMUM WIRE INSULATION DIAMETER = .105.
- AMP PART NUMBER AND DATE CODE LOCATED ON EDGE OF FLANGE.

DO NOT SCALE PRINT. UNLESS SPECIFIED DIMENSIONS IN INCHES TOLERANCES ON: 2 PLC DEC ± - 3 PLC DEC ± .005 ANGLES ± -	DR 6-27-91 R.LEE BG	AMP Incorporated Harrisburg, PA 17105-3608	
SEE CALLOUT	CHK 4-15-92 W.G.LENKER		
FINISH SEE CALLOUT	APPD 4-15-92 K.BEAVER	NAME RECEPTACLE ASSEMBLY, REV SEX, SERIES 1, 22-14, CMC	
	MATERIAL SEE CALLOUT	PRODUCT SPEC 108-10040	SIZE C
	FINISH SEE CALLOUT	APPLICATION SPEC -	CAGE CODE 00779
		WEIGHT -	DRAWING NO 208487
			SCALE 2:1
			SHEET 1 OF 1